



**Length** 26.77 in (680 mm)  
**Width** 26.77 in (680 mm)  
**Height** 1.34 in (34 mm)  
**Frame** Aluminum  
**Weight** 5.6 kg



# Sunmodule®

## SW 50 poly RMA

### World class quality

SolarWorld produces the best products with the highest quality, manufactured according to German and US quality standards in fully-automated ISO 9001 and 14001 certified factories.

### Outstanding products

SolarWorld's modules were assessed by the ÖKO-TEST consumer magazine as "excellent".

### An experienced industry leader

With over 30 years of experience in off-grid solar applications – SolarWorld delivers top products and technical experience at the highest levels. Our modules are installed in over 100,000 Telecom/Industrial systems worldwide. Nobody else comes close.



### PERFORMANCE UNDER STANDARD TEST CONDITIONS (STC)\*

		SW 50
Maximum power	$P_{max}$	50 Wp
Open circuit voltage	$U_{oc}$	22.1 V
Maximum power point voltage	$U_{mpp}$	18.2 V
Short circuit current	$I_{sc}$	2.95 A
Maximum power point current	$I_{mpp}$	2.75 A

\*STC: 1000W/m<sup>2</sup>, 25°C, AM 1.5

### PERFORMANCE AT 800 W/m<sup>2</sup>, NOCT, AM 1.5

		SW 50
Maximum power	$P_{max}$	35.9 Wp
Open circuit voltage	$U_{oc}$	19.8 V
Maximum power point voltage	$U_{mpp}$	16.3 V
Short circuit current	$I_{sc}$	2.38 A
Maximum power point current	$I_{mpp}$	2.20 A

Minor reduction in efficiency under partial load conditions at 25°C: at 200W/m<sup>2</sup>, 95% (+/-3%) of the STC efficiency (1000 W/m<sup>2</sup>) is achieved.

### COMPONENT MATERIALS

Cells per module		36
Cell type		Poly crystalline
Cell dimensions		2.44 in x 6.14 in (62 mm x 156 mm)
Front		tempered glass (EN 12150)

### SYSTEM INTEGRATION PARAMETERS

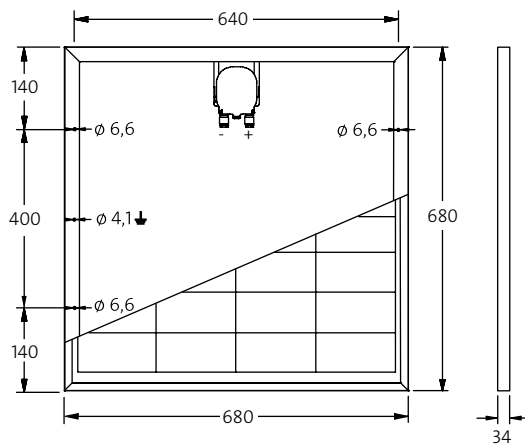
Maximum system voltage SC II		1000 V
Maximum reverse current		12 A
Increased snowload acc. to IEC 61215		5.4 kN/m <sup>2</sup>
Number of bypass diodes		2

### THERMAL CHARACTERISTICS

NOCT		46 °C
TC $I_{sc}$		0.034 %/K
TC $U_{oc}$		-0.34 %/K
TC $P_{mpp}$		-0.48 %/K

### ADDITIONAL DATA

Power tolerance		+/- 10 %
Junction box		IP65
Maximum outer cable diameter		0.31 in (7.8 mm)
Maximum wire cross section		4 mm <sup>2</sup>



- Qualified, IEC 61215
- Safety tested, IEC 61730
- Periodic Inspection

